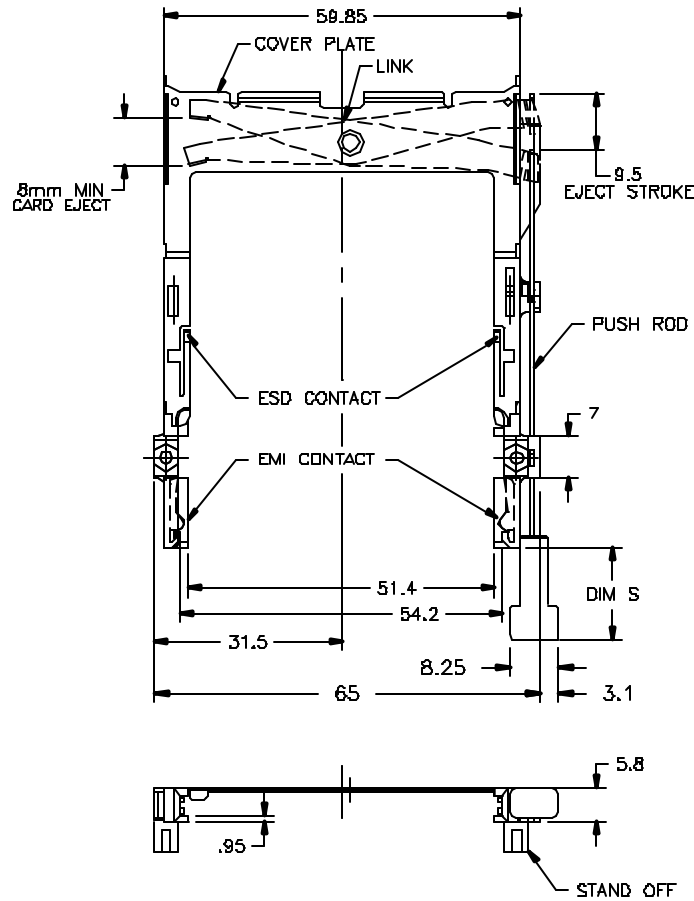


Tous droits strictement réservés. Reproduction ou communication à des tiers interdite sans aucune forme que ce soit sans autorisation écrite du propriétaire. Propriété de FCI. Droits de reproduction FCI.

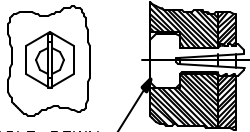
All rights strictly reserved. Reproduction or issue to third parties in any form whatever is not permitted without written authority from the proprietor. Property of FCI. Copyright FCI.

PRODUCT NO. NOTE ①	DIM L	DIM S
72337-0DDCA	0	13
72337-02DCA	2	
72337-022CA	2.2	
72337-04DCA	4	
72337-043CA	4.3	
72337-050CA	5	15.6
72337-0DDDA	0	
72337-02DDA	2	
72337-022DA	2.2	
72337-04DDA	4	
72337-043DA	4.3	21
72337-05DDA	5	
72337-000FA	0	
72337-020FA	2	
72337-022FA	2.2	
72337-04DFA	4	
72337-043FA	4.3	
72337-05DFA	5	



NOTES:

① ADD "H" TO PART NUMBER FOR OPTIONAL HOLD DOWN (2 PER ASSEMBLY).



HOLD DOWN

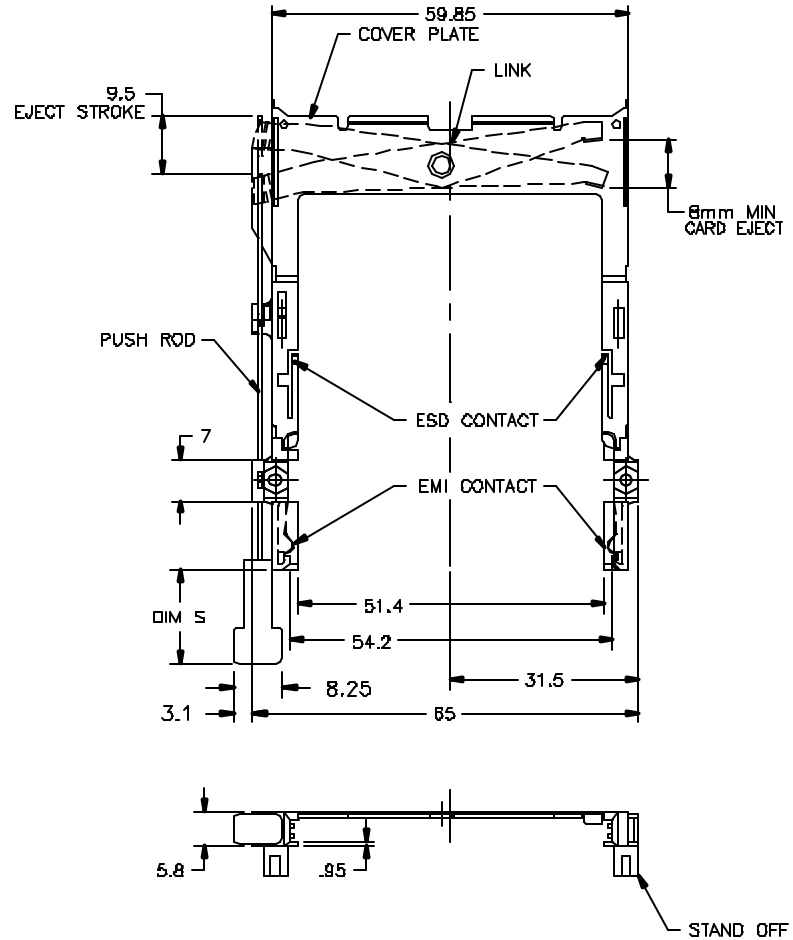
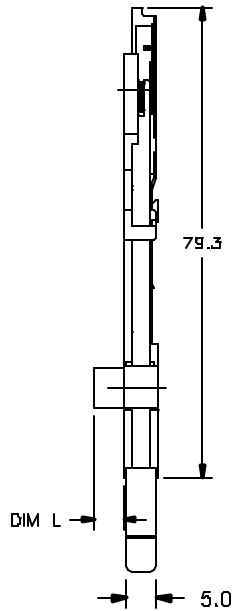
- LINK TO MOVE ALONG INSIDE WALL OF COVER PLATE SMOOTHLY AFTER ASSEMBLING WITH HEADER.
- MATERIAL:
PLASTIC GUIDES: POLYPHTHARAMIDE UL94V-0
COLOR: BLACK
COVER PLATE: STAINLESS STEEL
EMI CONTACT: PHOSPHOR BRONZE
- FINISH:
EMI CONTACT: CONTACT AREA: 0.5um Au
UNDER PLATING: 2.0um Ni
- RECOMMENDED SCREW TORQUE:
1.0-1.5 MAX IN-LBS(1.2-1.7 CM-KGS)

mat'l. code				tolerances unless otherwise specified			CUSTOMER COPY		FCI Electronics		
ltr	ecn no	dr	date	linear	.X±.3	projection	www.fciconnect.com				
A	V61135	RHG	8/9/98		.XX±.13		title				
B	T7DD9D	RHG	4/28/97	angles	.XXX±.051		NARROW BODY FRONT EJECT MECHANISM ASSEMBLY TYPE 123				
C	V12231	TFG	8/18/01		0° ±Z		product family MCA code -				
				dr	R, GRAPE	5/30/98	MM		size		sheet
				enr	J.SPICKLER	5/30/98	1:1		dwg no		1 of 2
				chr	J.SPICKLER	5/30/98	A4		72337		
				appd	J.SPICKLER	5/30/98	scale		cage code		
sheet index	revision sheet	C	C					22526			
		1	2								

Tous droits strictement réservés. Reproduction ou communication à des tiers interdite sans aucune forme que ce soit sans autorisation écrite du propriétaire. Propriété de © FCI. Droits de reproduction FCI.

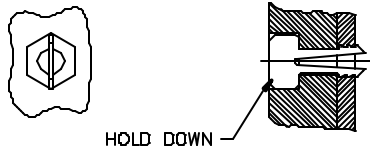
All rights strictly reserved. Reproduction or issue to third parties in any form whatever is not permitted without written authority from the proprietor. Property of FCI. Copyright FCI.

PRODUCT NO. NOTE ①	DIM L	DIM S
72337-10DCA	0	13
72337-12DCA	2	
72337-122CA	2.2	
72337-14DCA	4	
72337-143CA	4.3	
72337-150CA	5	15.8
72337-10DDA	0	
72337-12DDA	2.2	
72337-14DDA	4	
72337-143DA	4.3	
72337-15DDA	5	21
72337-100FA	0	
72337-120FA	2	
72337-122FA	2.2	
72337-14DFA	4	
72337-143FA	4.3	
72337-15DFA	5	



NOTES:

① ADD "H" TO PART NUMBER FOR OPTIONAL HOLD DOWN (2 PER ASSEMBLY).



- LINK TO MOVE ALONG INSIDE WALL OF COVER PLATE SMOOTHLY AFTER ASSEMBLING WITH HEADER.
- MATERIAL:
PLASTIC GLIDES: POLYPHTHARAMIDE UL94V-0
COLOR: BLACK
COVER PLATE: STAINLESS STEEL
EMI CONTACT: PHOSPHOR BRONZE
- FINISH:
EMI CONTACT: CONTACT AREA: 0.5um Au
UNDER PLATING: 2.0um Ni
- RECOMMENDED SCREW TORQUE:
1.0-1.5 MAX IN-LBS(1.2-1.7 CM-KGS)

mat'l. code		tolerances unless otherwise specified		CUSTOMER COPY	FCI Electronics www.fciconnect.com	
ltr	ecn no	dr	date	linear	projection	title
C				.X±.3		NARROW BODY FRONT EJECT MECHANISM ASSEMBLY TYPE 123
				.XX±.13		product family
				angles		code
				.XXX±.051		size
				dr	MM	72337
				enr	J.SPICKLER 5/30/98	sheet
				chr	J.SPICKLER 5/30/98	2 of
				appd	J.SPICKLER 5/30/98	scale
					1:1	A4
sheet index	revision sheet					

cage code
22526